

**RESOLUTION APPROVING THE DETAILED CONSTRUCTION PLANS FOR PTI FOR THE ROME TOWNSHIP BULK WATER STATION PROJECT, ROME TOWNSHIP, ACDES**

WHEREAS, Doug Starkey, Director of the Ashtabula County Department of Environmental Services, has presented detailed construction plans prepared by Verdantas, and approved by Ashtabula County Sanitary Engineer, for the Rome Township bulk water station project, Rome Township; and

WHEREAS, the project description is as follows:

This is the construction project for a new bulk water station at 3162 US-6, Rome, Ohio 44085 in Rome Township, Ashtabula County.

WHEREAS, Doug Starkey, Director of ACDES, is authorized after plan approval to submit signed drawings for Permit to Install (PTI); and

WHEREAS, Doug Starkey, Director of ACDES, recommends approval of these plans; now

THEREFORE, BE IT RESOLVED, by the Board of County Commissioners of the County of Ashtabula, Ohio, that:

**Section 1.** The detailed construction plans for the Rome bulk water station in Rome Township are hereby approved.

**Section 2.** Those detailed plans shall be filed in the office of the Ashtabula County Sanitary Engineer, in the Department of Environmental Services and kept continuously on file there for inspection by all persons interested therein.

**Section 3.** This Board finds and determines that all formal actions of this Board concerning and relating to the adoption of this resolution were taken in an open meeting of the Board and all deliberations of this Board and of any of its committees that resulted in those formal actions were in meetings open to the public.

**ASHTABULA COUNTY COMMISSIONERS  
CERTIFICATION PAGE**

**Resolution No. 2025-372**

**August 28, 2025**

**RESOLUTION APPROVING THE DETAILED CONSTRUCTION PLANS FOR PTI  
FOR THE ROME TOWNSHIP BULK WATER STATION PROJECT, ROME  
TOWNSHIP, ACDES**

**Upon the motion of Casey R. Kozlowski, seconded by Kathryn L. Whittington.**

**VOTE:**

**J.P. Ducro IV**

**Aye**

**Casey R. Kozlowski**

**Aye**


**Kathryn L. Whittington**

**Aye**

**CERTIFICATE OF CLERK**

IT IS HEREBY CERTIFIED that the foregoing is a true and correct transcript of a resolution acted upon and duly passed by the Board of County Commissioners of Ashtabula County, Ohio, on the date noted above.

---

  
Crystal Sturgill, Clerk of the Board *Acting*  
Board of County Commissioners  
Ashtabula County, Ohio

# CITY OF ROME, OHIO

## ROME TOWNSHIP BULK WATER STATION

### ASHTABULA COUNTY, OHIO



JULY 2025



### APPROVALS

#### CITY OF ASHTABULA:

COUNTY COMMISSIONER KATHRYN L. WHITTINGTON DATE \_\_\_\_\_

COUNTY COMMISSIONER CASEY R. KOZLOWSKI DATE \_\_\_\_\_

COUNTY COMMISSIONER J.P. DUCRO IV DATE \_\_\_\_\_

DIRECTOR, ACDES DOUG STARKEY DATE \_\_\_\_\_

#### OFFICE & PROJECT SITE:

ROME FIRE DEPARTMENT  
3162 US-6  
ROME, OH 44085

#### ENGINEER:

VERDANTAS  
8150 STERLING COURT  
MENTOR, OH 44060  
(440) 951-9000 PHONE  
(440) 951-7487 FAX

GEORGIA COMPANY

P.E. No. E-85401

DATE

#### ADMINISTRATION:

|               |                            |
|---------------|----------------------------|
| TIM SPANGLER  | TOWNSHIP TRUSTEE           |
| TOM GAGE      | TOWNSHIP TRUSTEE           |
| ERIC ELAND    | TOWNSHIP TRUSTEE           |
| JEANETTE GAGE | TOWNSHIP FISCAL OFFICER    |
| AL SEDIVEC    | ZONING INSPECTOR           |
| JEANETTE GAGE | ASSISTANT ZONING INSPECTOR |



LOCATION MAP  
NOT TO SCALE



1. UNDERGROUND BUILDING SERVICE UTILITY LINES ARE NOT SHOWN ON THE PLANS. THE CONTRACTOR SHALL BE RESPONSIBLE FOR LOCATING, MAINTAINING AND REPLACING AS NECESSARY TO ENSURE CONTINUAL SERVICE TO BUILDINGS.
2. THE CONTRACTOR IS RESPONSIBLE TO CALL OHIO UTILITIES PROTECTION SERVICE @ 1-800-362-2764, THREE WORKING DAYS PRIOR TO CONSTRUCTION.



ENGINEER'S PROJECT No. 25000100



**verdantas**

8150 STERLING COURT  
MENTOR, OHIO 44060  
(440) 951-9000

| NO | REVISION | DATE |
|----|----------|------|
|    |          |      |
|    |          |      |
|    |          |      |

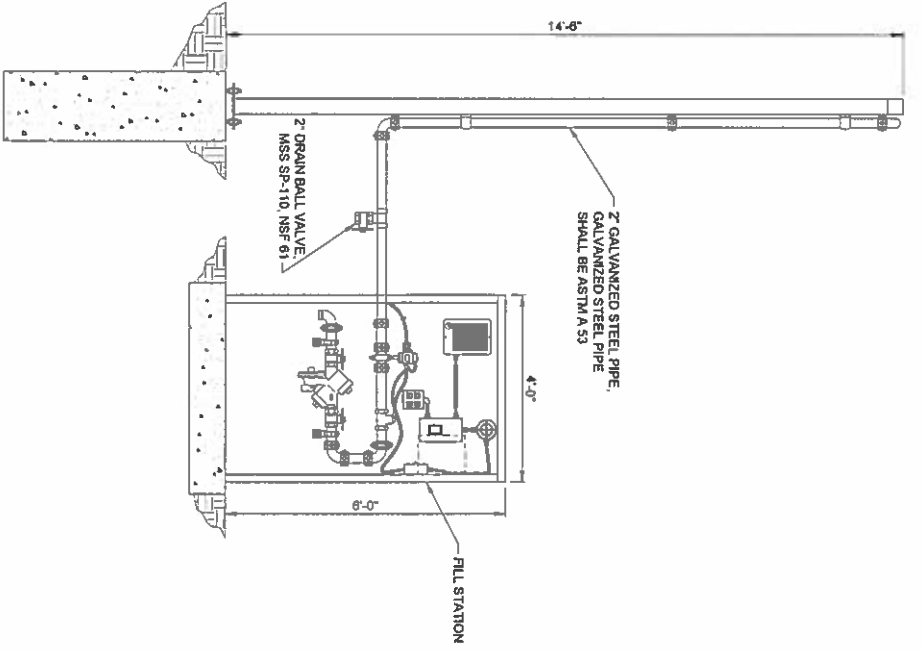
SCALE: AS NOTED  
DATE: 7/29/2025  
DESIGNED BY: GBC  
DRAWN BY: CAS  
CHECKED BY: GBC

CITY OF ROME, OHIO  
ROME TOWNSHIP BULK WATER STATION  
ASHTABULA COUNTY OHIO  
**GENERAL - 00 SERIES**  
**COVER SHEET**

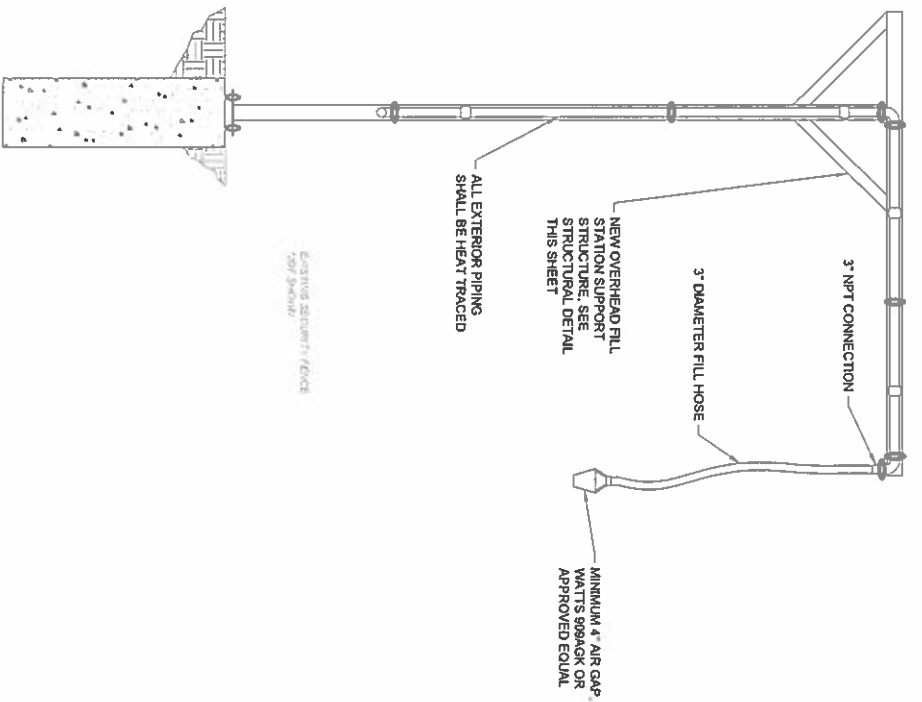
|              |          |
|--------------|----------|
| PROJECT NO.  | 25000100 |
| DRAWING NAME | 00G-01   |
| SHEET        | 1        |
| OF           | 3        |

© 2014 Verdantas LLC. All rights reserved. This drawing is the property of Verdantas LLC and is not to be reproduced without the written consent of Verdantas LLC.

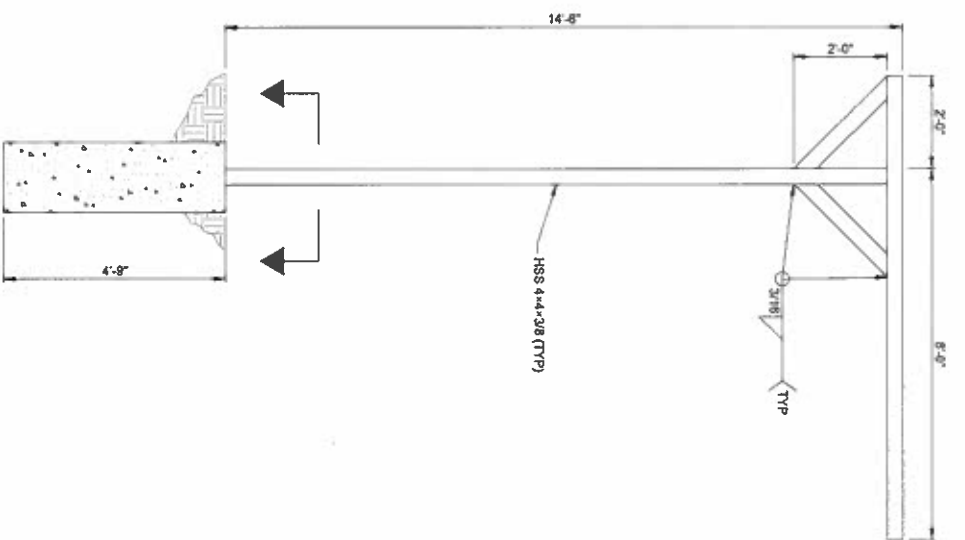




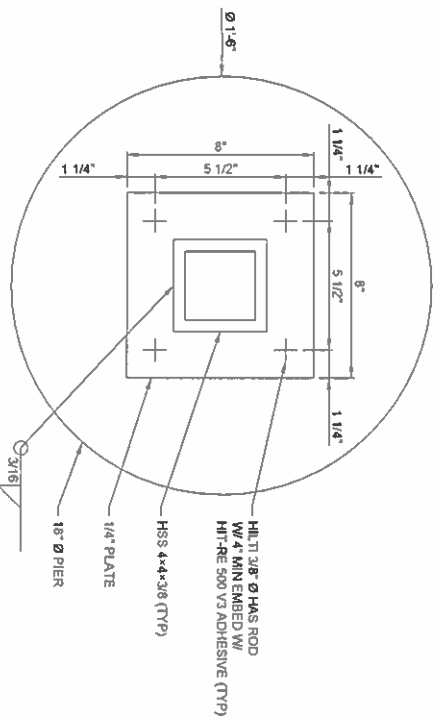
**FILL STATION PROPOSED MODIFICATIONS**  
SCALE: NONE



**FILL STATION PROPOSED MODIFICATIONS - FILL VIEW**  
SCALE: NONE



**OVERHEAD LOADING STRUCTURAL DETAIL**  
SCALE: NONE



**MOUNTING PLATE DETAIL**  
SCALE: NONE



**verdantas**

8150 STERLING COURT  
MENTOR, OHIO 44060  
(440) 951-9000

| NO | REVISION | DATE |
|----|----------|------|
|    |          |      |
|    |          |      |
|    |          |      |
|    |          |      |

SCALE: AS NOTED  
DATE: 7/29/2025  
DESIGNED BY: GBC  
DRAWN BY: CAS  
CHECKED BY: GBC

**CITY OF ROME, OHIO**  
**ROME TOWNSHIP BULK WATER STATION**  
ASHTABULA COUNTY OHIO  
**GENERAL - 00 SERIES**  
**PROPOSED WORK**

|               |          |
|---------------|----------|
| PROJECT NO:   | 25000100 |
| DRAWING NAME: | 00G-03   |
| SHEET OF:     | 3 OF 3   |